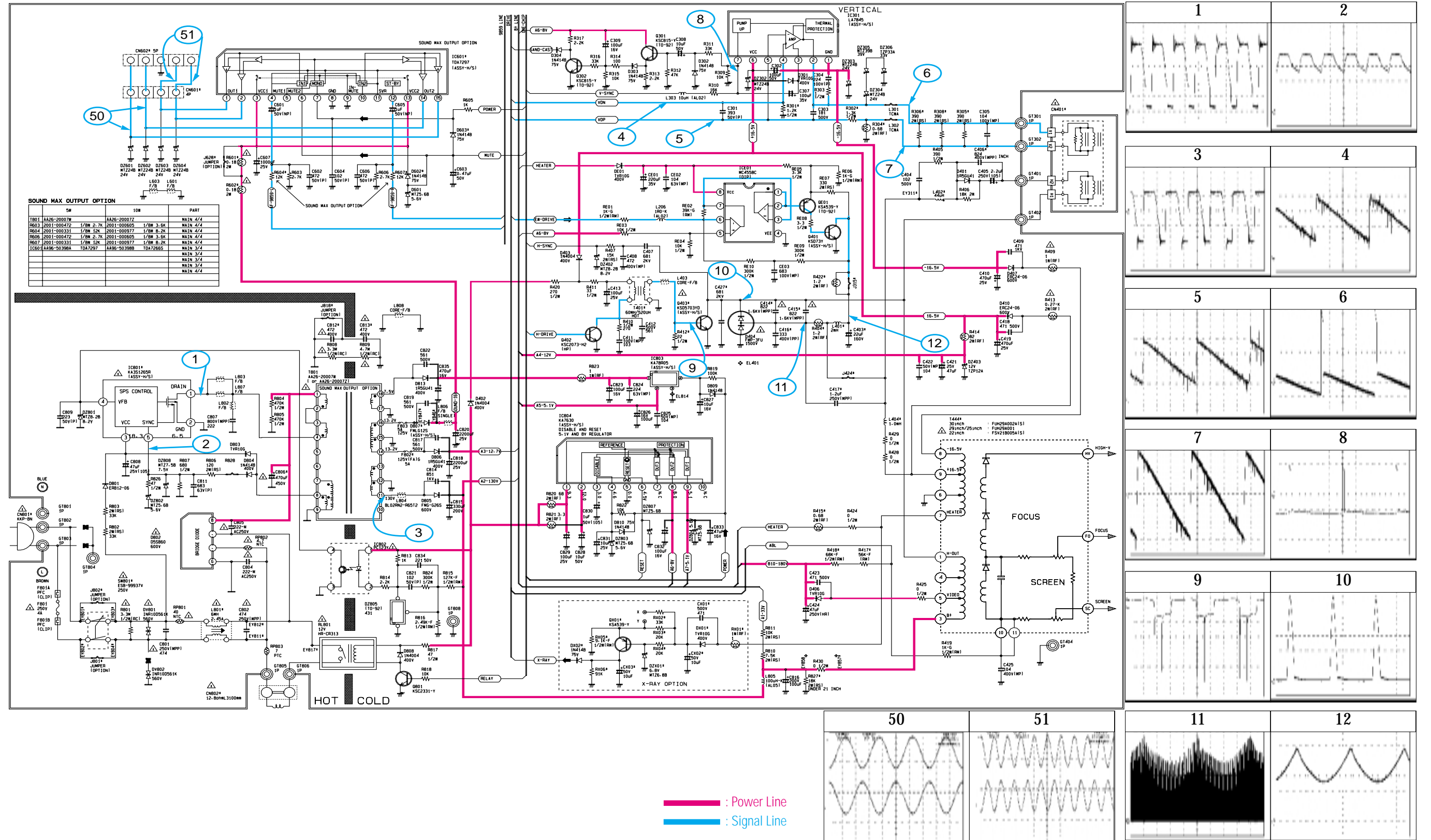
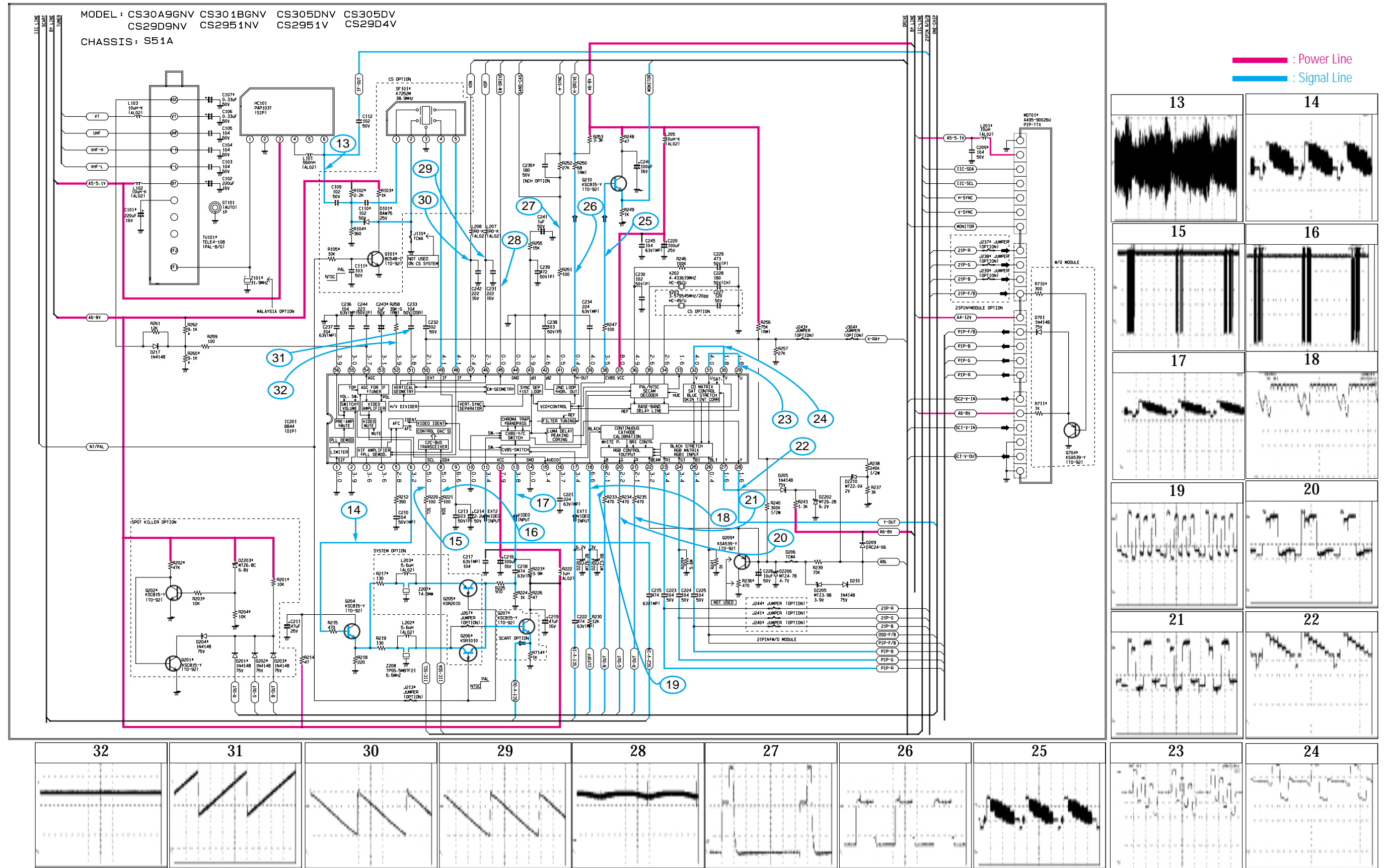


11. Schematic Diagrams

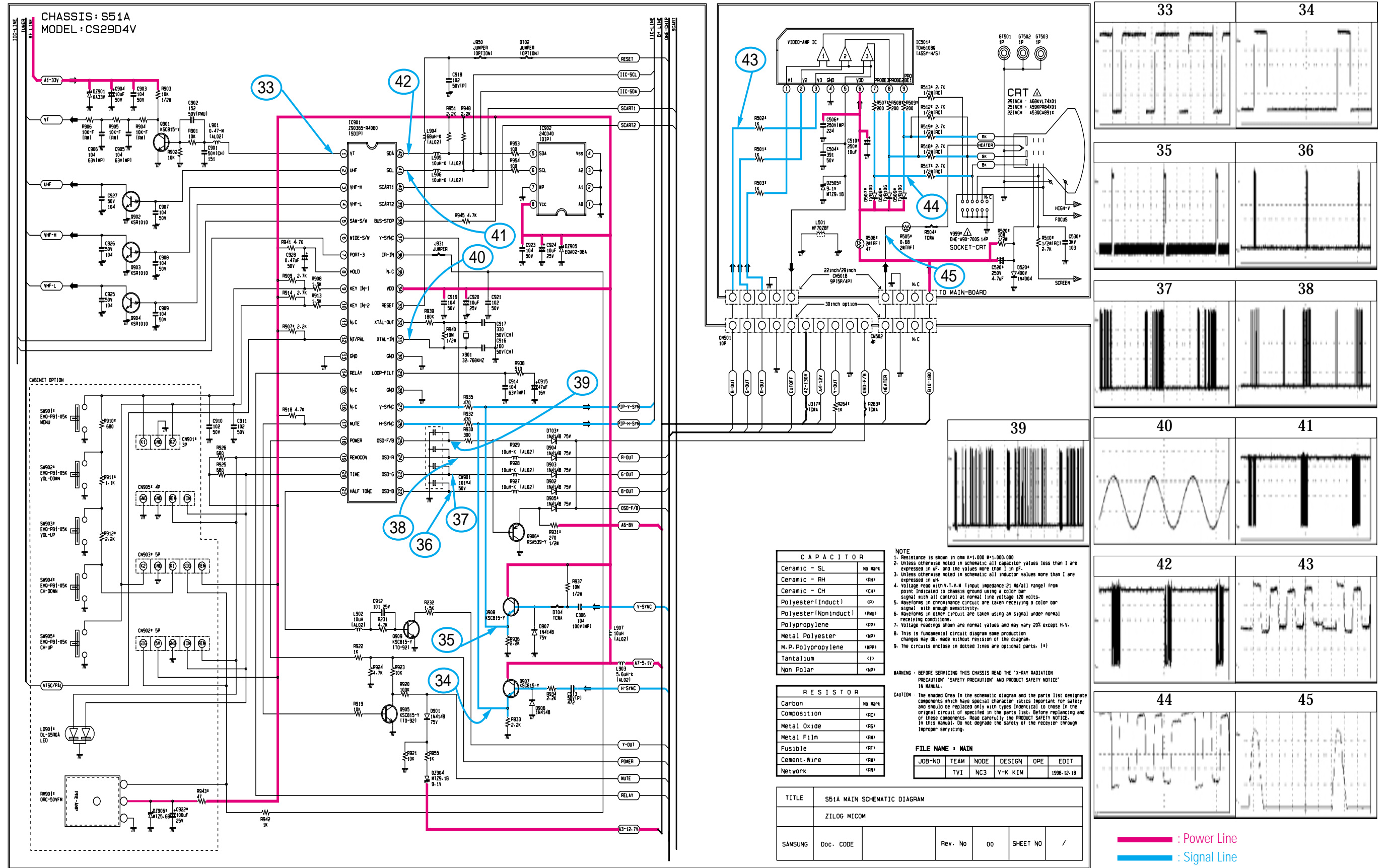
11-1 MAIN (Power)



11-2 PWB MAIN (One-Chip)



11-3 PWB MAIN / CRT (u-COM)



CAPACITOR

Ceramic - SL	NO MARK
Ceramic - RH	(RM)
Ceramic - CH	(CM)
Polyester (Induct)	(PM)
Polyester (Noninduct)	(PMM)
Polypropylene	(PP)
Metal Polyester	(MP)
M.P. Polypropylene	(MPP)
Tantalium	(T)
Non Polar	(NP)

- NOTE**
1. Resistance is shown in ohm K=1,000 M=1,000,000
 2. Unless otherwise noted in schematic all capacitor values less than 1 are expressed in μ F and the values more than 1 in pF.
 3. Unless otherwise noted in schematic all inductor values more than 1 are expressed in μ H.
 4. Voltage read with v.t.v.m (input impedance ≥ 10 M Ω /all range) from point indicated to chassis ground using a color bar signal with all control at normal line voltage 120 volts.
 5. Waveforms in circumference circuit are taken receiving a color bar signal with enough sensitivity.
 6. Waveforms in other circuit are taken using a signal under normal receiving conditions.
 7. Voltage readings shown are normal values and may vary 20% except h.v.
 8. This is fundamental circuit diagram some production changes may be made without revision of the diagram.
 9. The circuits enclose in dotted lines are optional parts. (1)

RESISTOR

Carbon	NO MARK
Composition	(RC)
Metal Oxide	(RS)
Metal Film	(RM)
Fusible	(RF)
Cement-Wire	(RW)
Network	(RN)

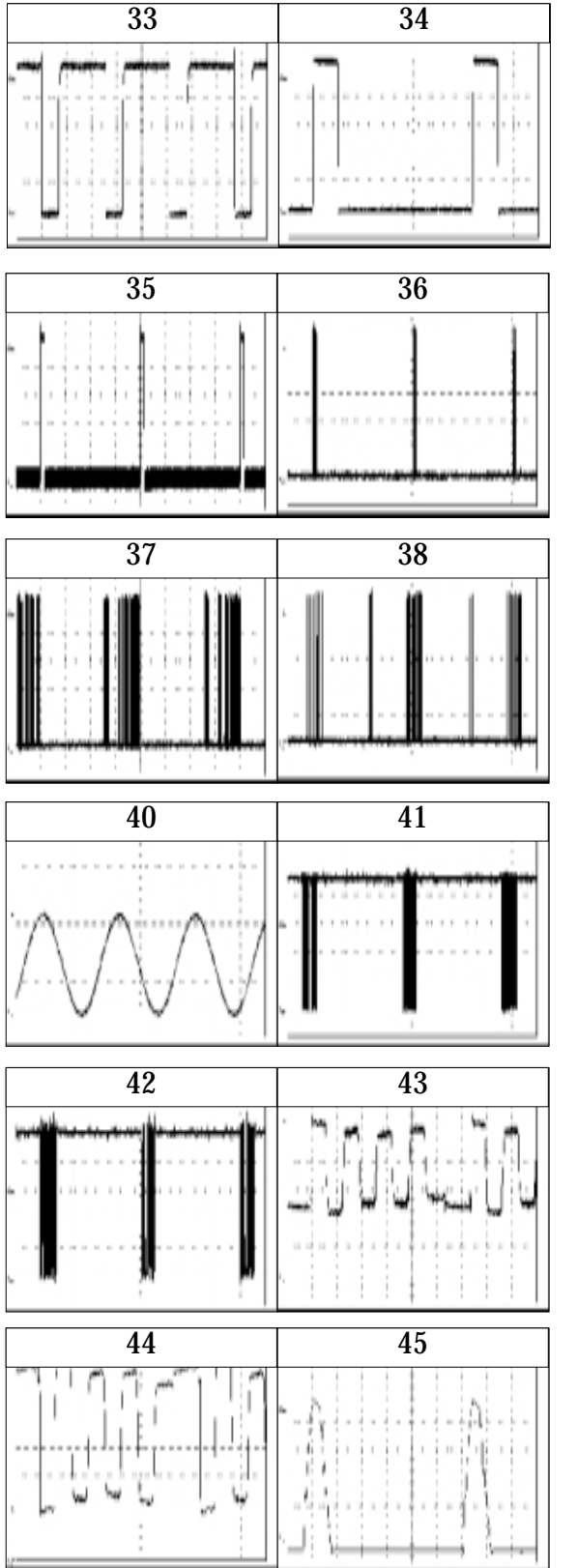
CAUTION - BEFORE SERVICING THIS CHASSIS READ THE "X-RAY RADIATION PRECAUTION" "SAFETY PRECAUTION" AND "PRODUCT SAFETY NOTICE" IN MANUAL.

CAUTION - The shaded area in the schematic diagram and the parts list designate components which have special characteristics important for safety and should be replaced only with types identical to those in the original circuit of specified in the parts list. Before replacing any of these components, read carefully the "PRODUCT SAFETY NOTICE" in this manual. Do not degrade the safety of the receiver through improper servicing.

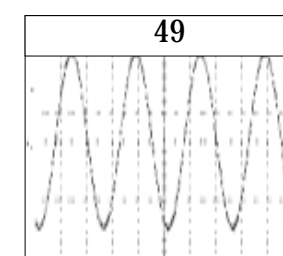
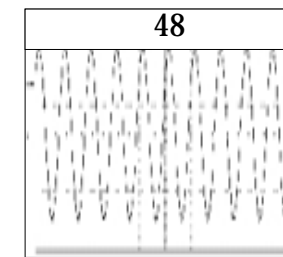
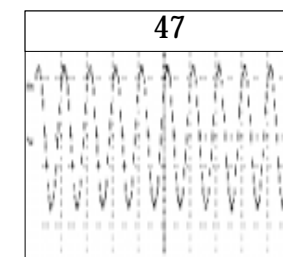
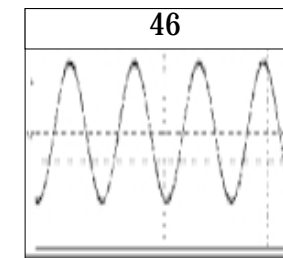
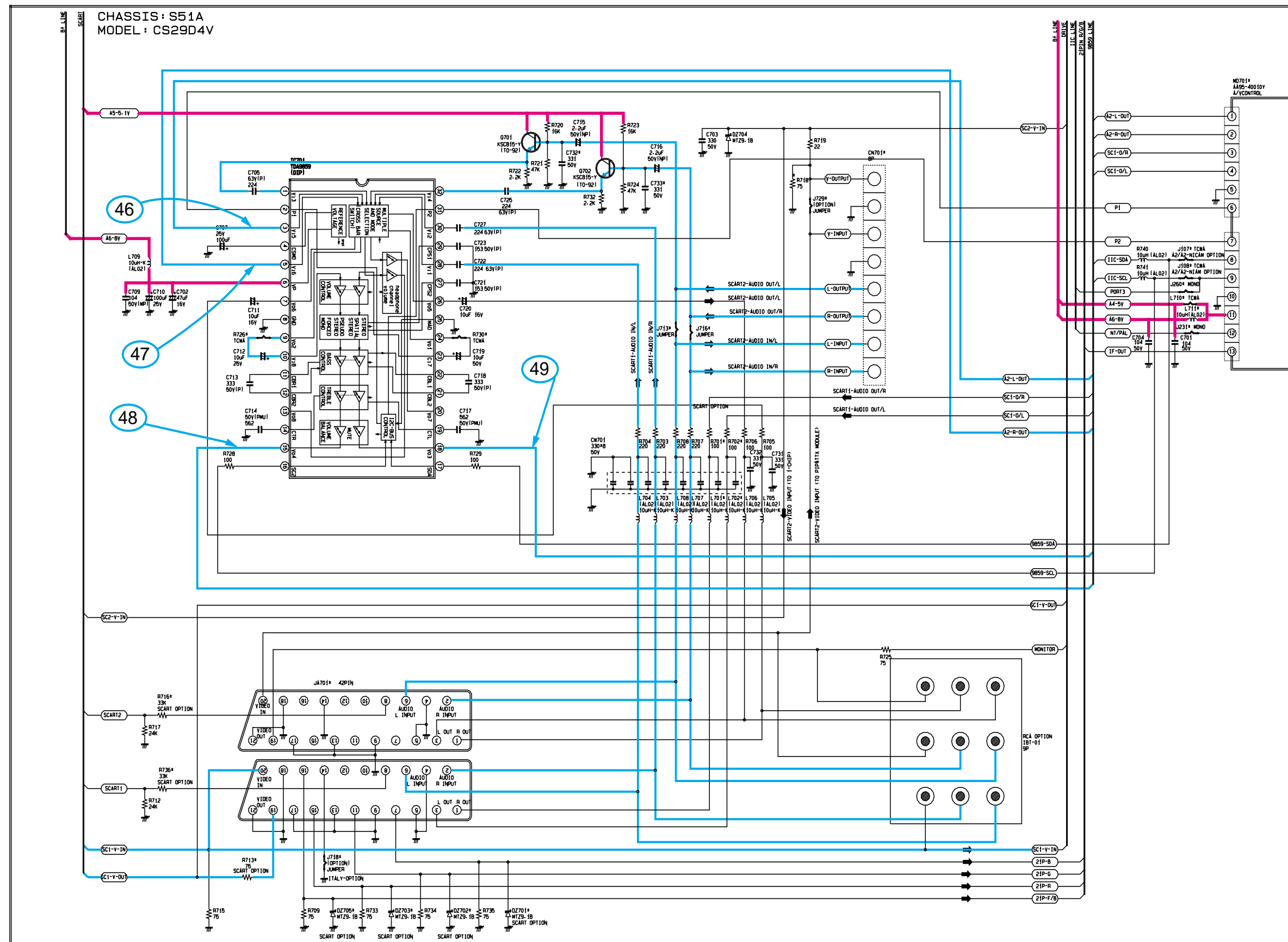
FILE NAME : MAIN

JOB-NO	TEAM	NODE	DESIGN	OPER	EDIT
	TVI	NC3	Y-K KIM		1998.12.18

TITLE	S51A MAIN SCHEMATIC DIAGRAM				
	ZILG0 MICOM				
SAMSUNG Doc. CODE		Rev. No	00	SHEET NO	/

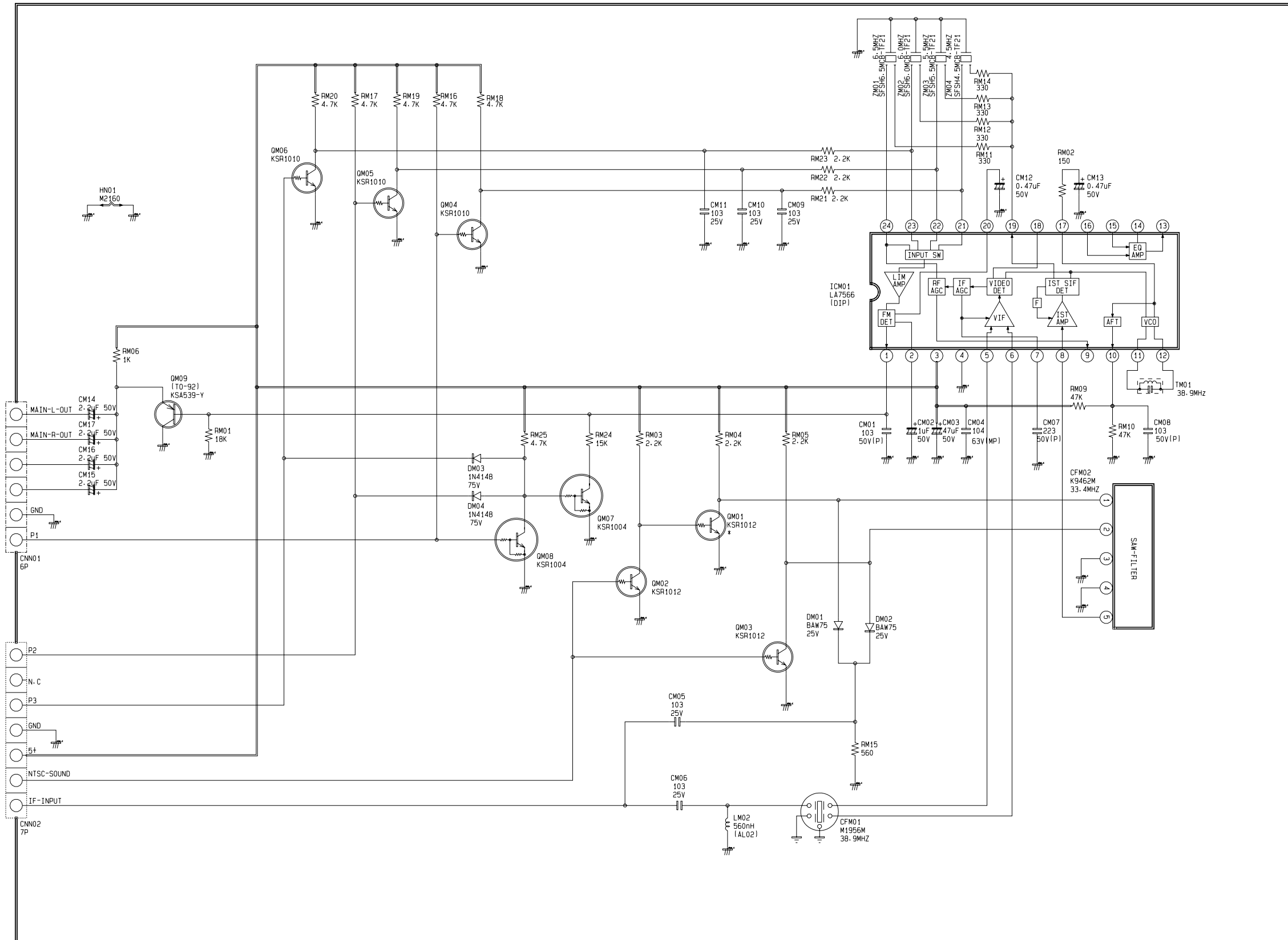


11-4 PWB MAIN (SUB)

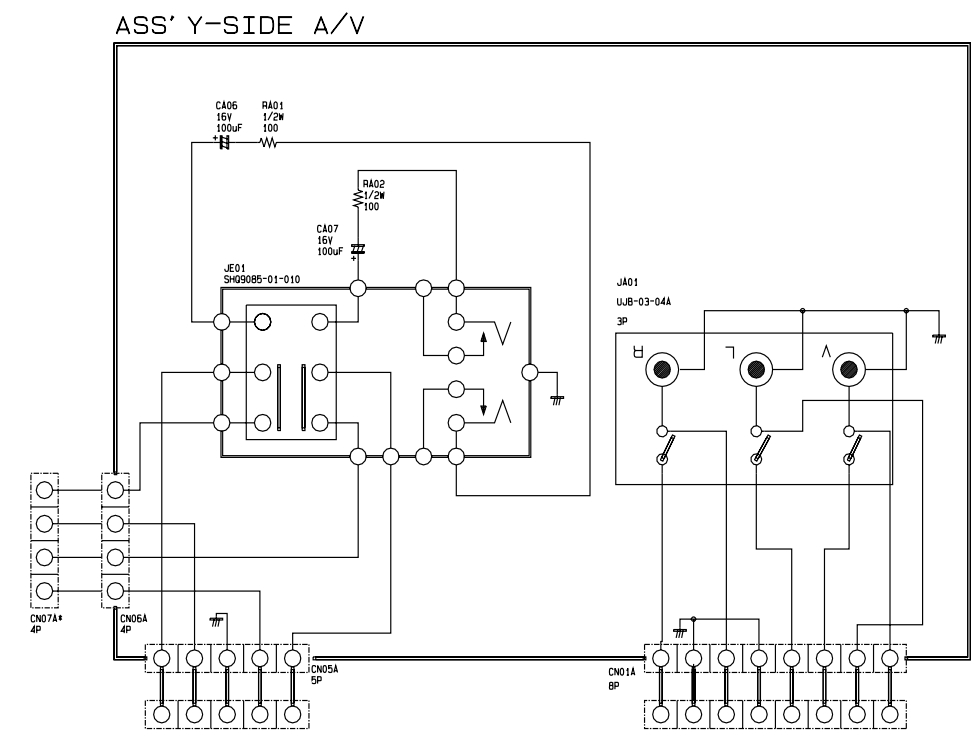
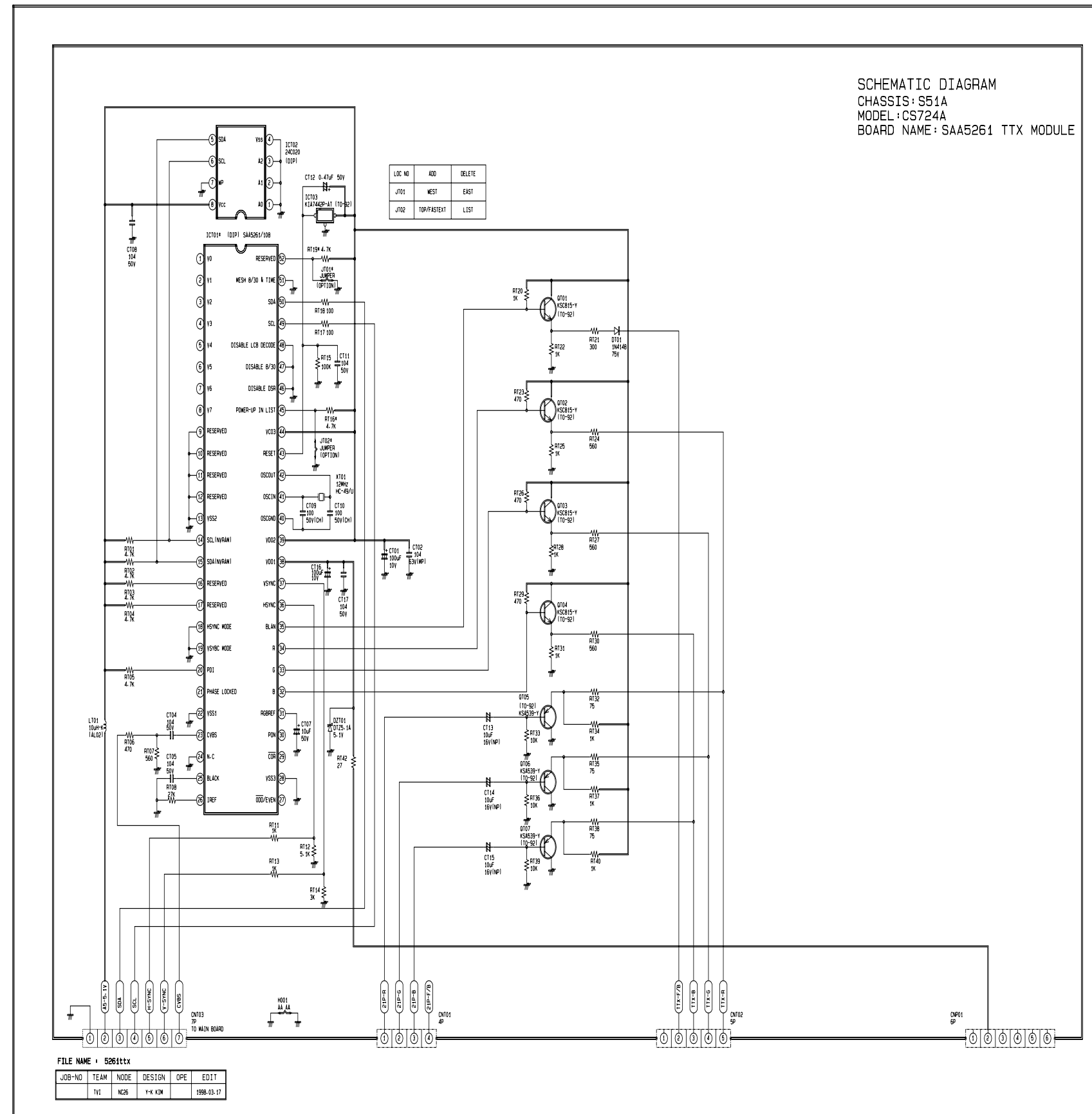


— : Power Line
— : Signal Line

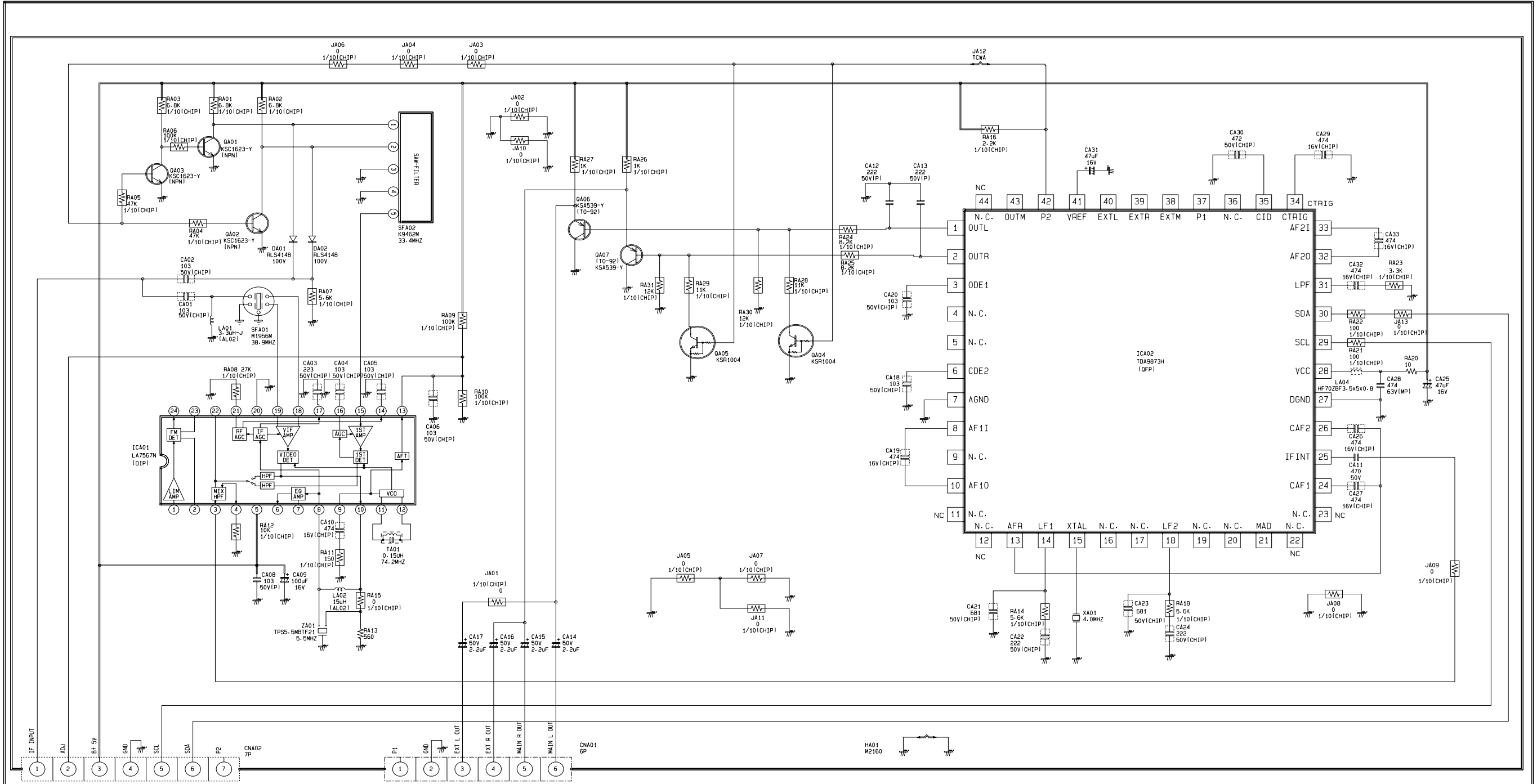
11-5 PWB MAIN (Sound Module)



11-6 MICOM (TTX) / AV SIDE



11-7 PWB MAIN (SOUND MODULE STEREO)



CAPACITOR	
Ceramic - SL	No Mark
Ceramic - RH	<RH>
Ceramic - CH	<CH>
Polyester (Induct)	<P>
Polyester (Noninduct)	<PMU>
Polypropylene	<PP>
Metal Polyester	<MP>
M. P. Polypropylene	<MPP>
Tantalum	<T>
Non Polar	<NP>

RESISTOR	
Carbon	No Mark
Composition	<RC>
Metal Oxide	<RS>
Metal Film	<RM>
Fusible	<RF>
Cement Wire	<RW>
Network	<RN>

EXPRESSION
 1 Resistance is shown ohm K=1,000 M=1,000,000
 2 Unless otherwise noted in schematic all capacitor values less than 1 are expressed in ufd. the values more than 1 in pF.
 3 Unless otherwise noted in schematic all inductor values are expressed in uH and the values less than 1 in mH.

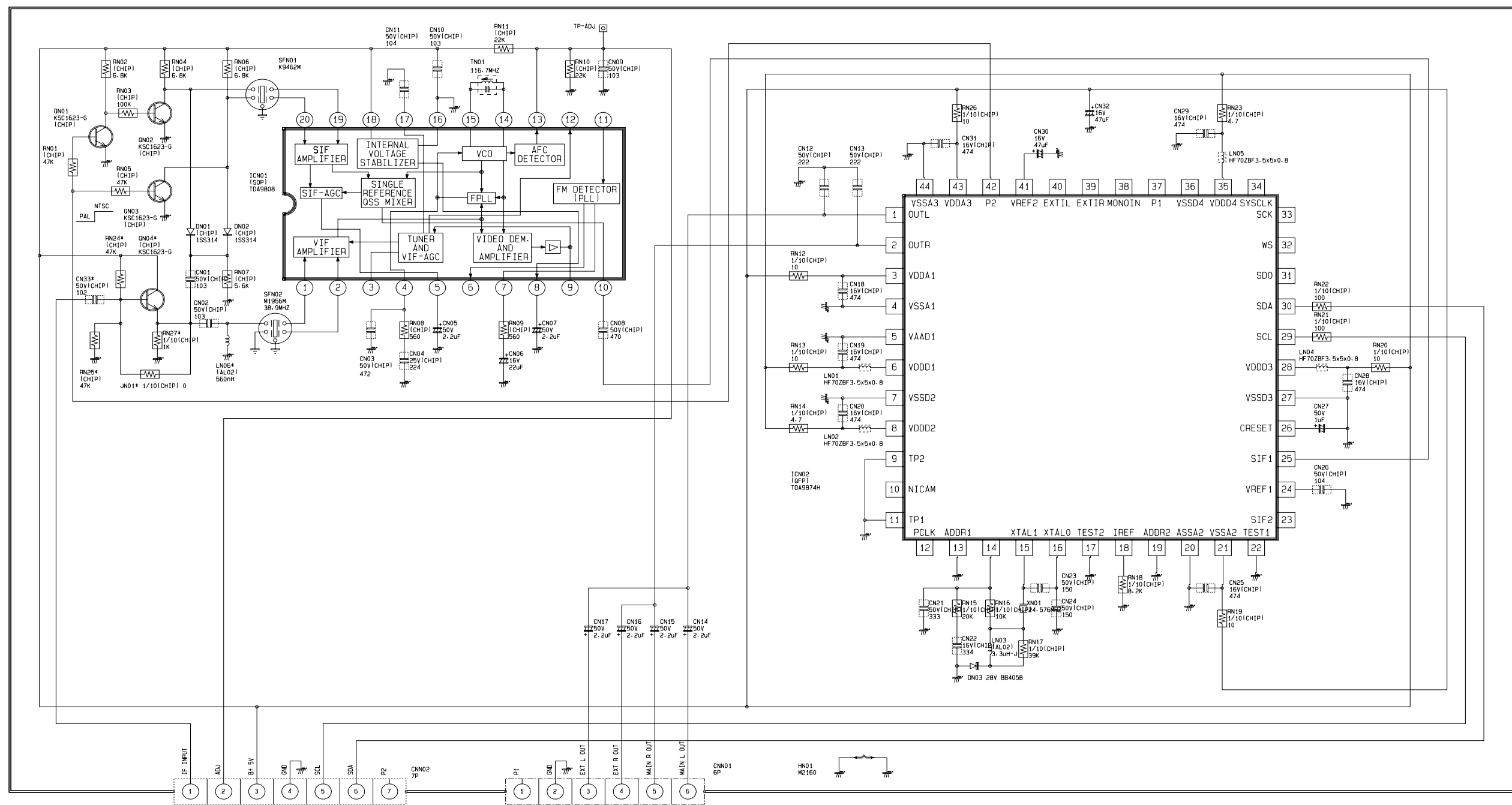
NOTE
 The circuits are subject to change without notice to improve the picture quality.

SCHEMATIC DIAGRAM
 CHASSIS: S51A
 MODEL: CS29D9
 BOARD NAME: SOUND MODULE
 A2 STEREO

FILE NAME : A2

JOB-NO	TEAM	NODE	DESIGN	OPE	EDIT
	T.V.I.	NC20	J.S.RA		1998-08-27

11-8 PWB MAIN (SOUND MODULE NICAM)



CAPACITOR	
Ceramic - SL	No Mark
Ceramic - RH	<RH>
Ceramic - CH	<CH>
Polyester (Induct)	<P>
Polyester (Noninduct)	<PMU>
Polypropylene	<PP>
Metal Polyester	<MP>
M.P. Polypropylene	<MPP>
Tantalum	<T>
Non Polar	<NP>

RESISTOR	
Carbon	No Mark
Composition	<RC>
Metal Oxide	<RS>
Metal Film	<RM>
Fusible	<RF>
Cement-Wire	<RW>
Network	<RN>

- EXPRESSION
- Resistance is shown ohm K=1,000 M=1,000,000
 - Unless otherwise noted in schematic all capacitor values less than 1 are expressed in ufd. the values more than 1 in pF.
 - Unless otherwise noted in schematic all inductor values are expressed in uH and the values less than 1 in mH.

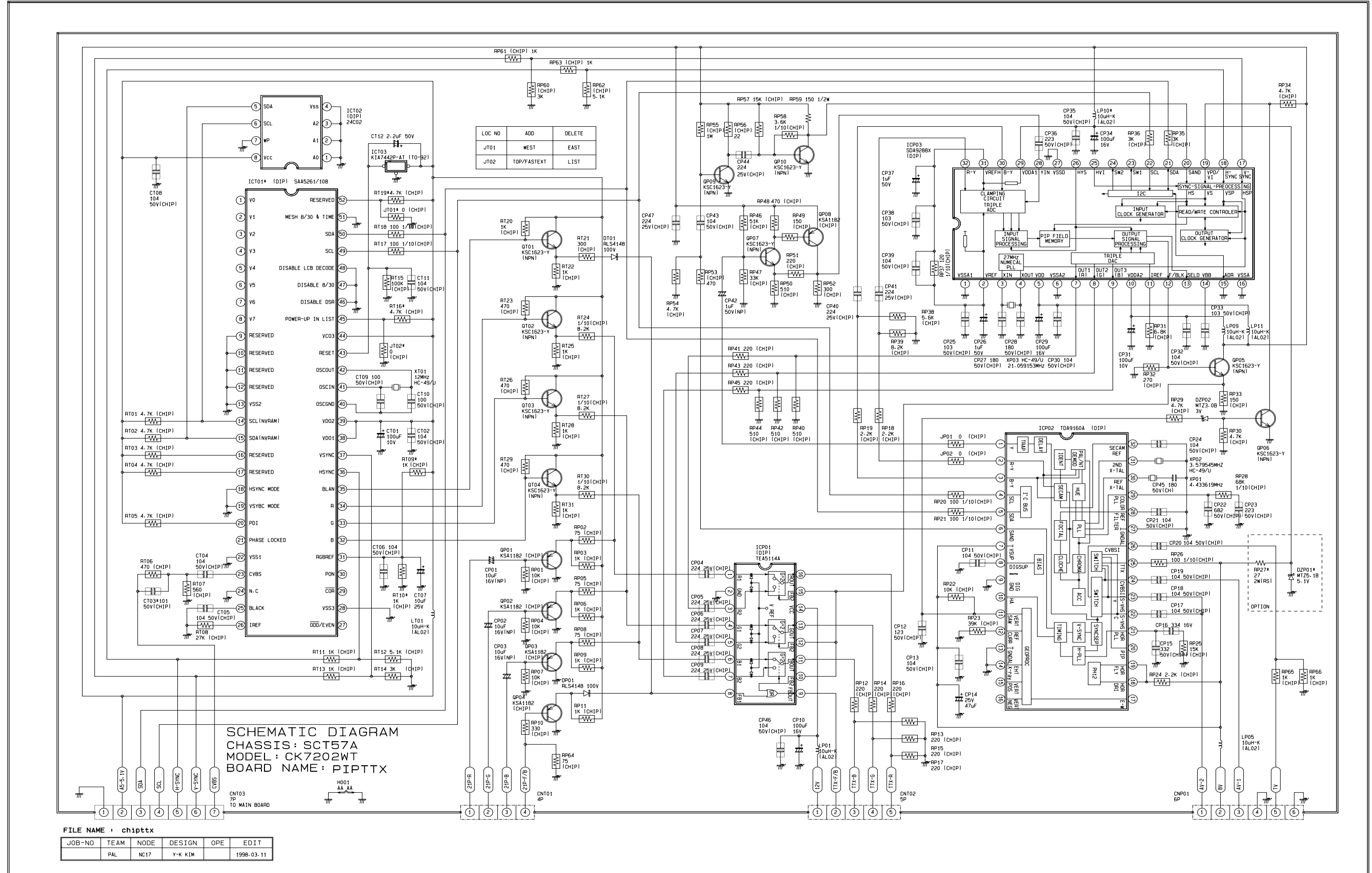
NOTE
The circuits are subject to change without notice to improve the picture quality.

SCHMATIC DIAGRAM
CHASSIS: S51A
MODEL: CS72D9
BOARD NAME: NICAM MODULE
A2 NICAM STEREO

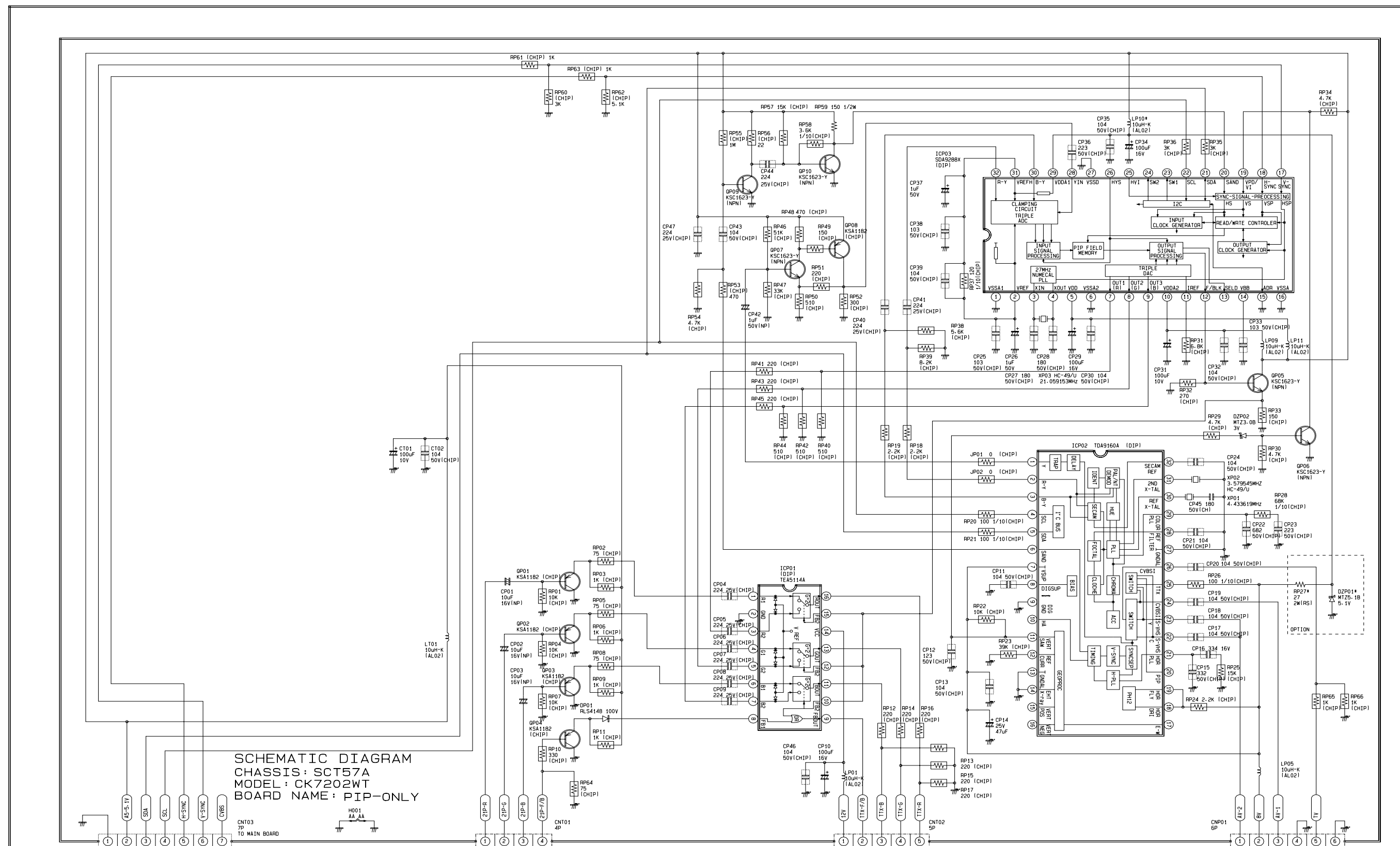
FILE NAME: NICAM

JOB-NO	TEAM	NODE	DESIGN	OPE	EDIT
	TVI	NC17	Y-K KIM		1998.08.13

11-9 PWB MAIN (PIP-TTX)



11-10 PWB MAIN (PIP)



SCHEMATIC DIAGRAM
 CHASSIS : SCT57A
 MODEL : CK7202WT
 BOARD NAME : PIP-ONLY

FILE NAME : chipttx

JOB-NO	TEAM	NODE	DESIGN	OPE	EDIT
	PAL	NC17	Y-K K1M		1998.03.11